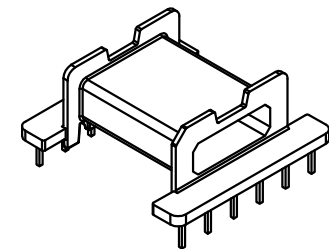
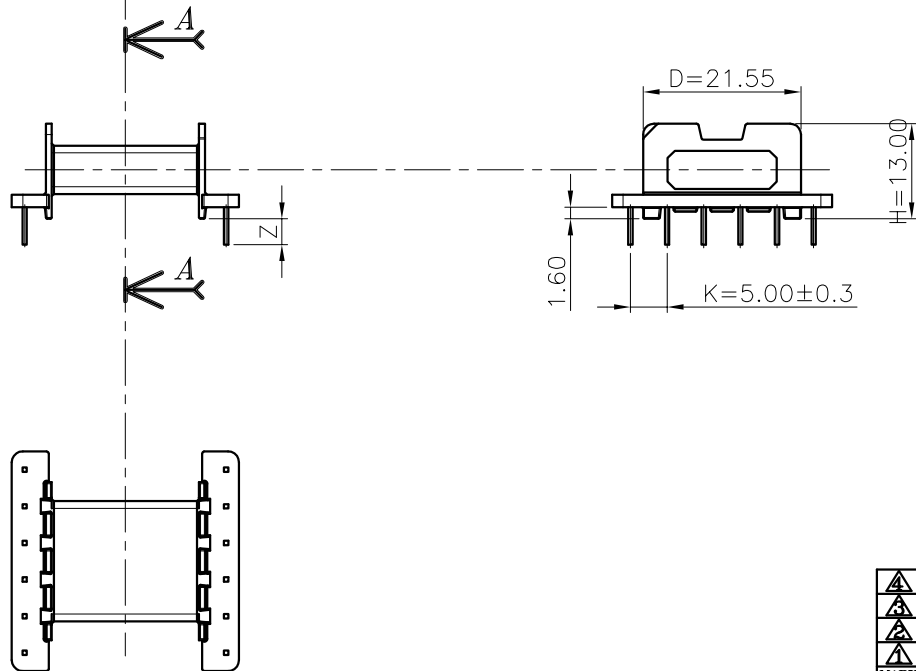


SCETION A-A'

SCETION B-B'



▲							
▲							
▲							
▲							
MARK	REVISION NOTE			DATE	DRAWN	CHECKED	APPROVED
DRAWN	CHECKED	APPROVED	MATERIAL : PHENOL	UL REC. : UL94V-0	THIRD ANGLE PROJ.	SCALE : 1/1	
Deok Man, Choe	Hyung Seok, Lee	Chul, Park	Z : PIN LENGTH (According to customer's request)	DATE : 2009.12.23	TOLERANCE : ±0.2 (Unless otherwise specified)	UNIT : m/m	
주식회사 대흥보빈 DAE HEUNG BOBBIN CO., LTD			TITLE EFD 30M (12P) "H"		DWG NO DH-100128-6088-02		